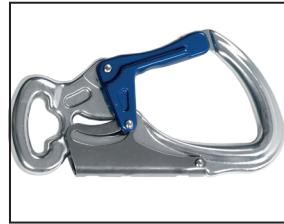
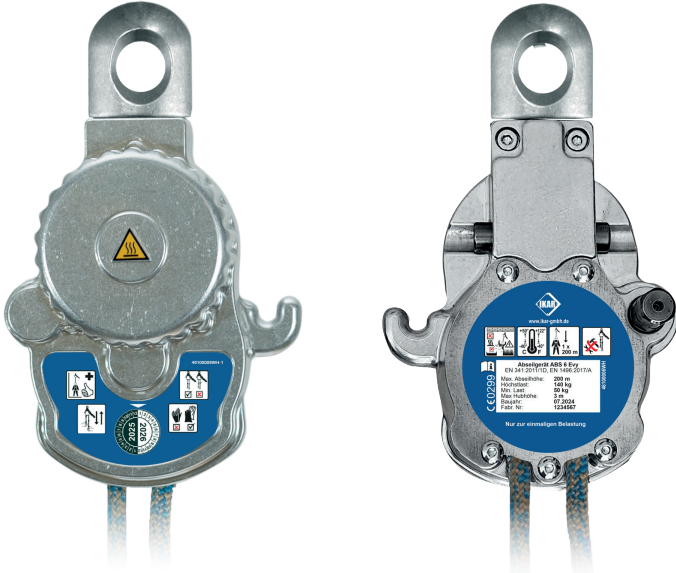


## ABS 6 Evy

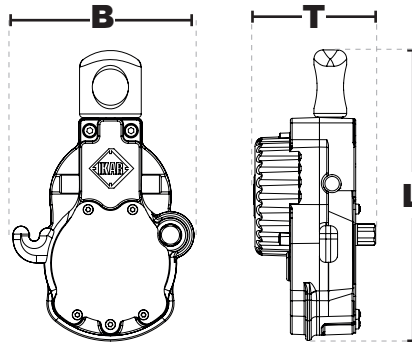
according to EN 341:2011/1D, EN 1496:2017/A,



IKV 11  
(EN 362:2004)



Detachable  
safety ratchet



### Productinformation:

Order No.:	Lanyard	Housing	Weight	Dimensions (LxBxT)	Connector
42-ABS 6 WH	kernmantle rope	aluminium	1,17 kg	157 x 99,5 x 73 mm	IKV 11
KMS 06-20	standard till 20 m rope length - enter the required cable length when ordering				
KMS 06	every other meter (26,5 g/m) - enter the required cable length when ordering				

### Features:

#### Controlled descent devices with integrated rescue lifting function

- extrem compact, resistant and low-maintenance descent device with a rotating swivel
- robust, seawater-resistant aluminium housing with kernmantle rope  $\varnothing$  6 mm
- standard connector IKV 11
- Min. load: 50 kg
- Nominal load: 140 kg
- Proof load EN 341: 180 kg
- Proof load EN 1496: 210 kg
- Static proof load: 14 kN
- Maximum descent height: one person up to 200 m
- Maximum lifting capacity: one person up to 3 m
- $\varnothing$  Maximum descent speed 1,5 m/s
- Temperature range of application: -40°C bis +50°C
- Life service: approx 10 years

#### Application:

descent, rescue

#### Areas of use:

evacuation, wind turbine generators